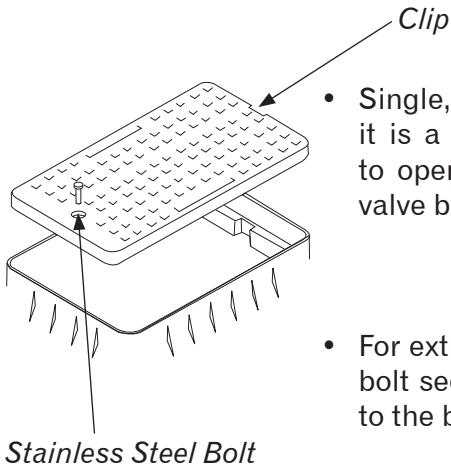




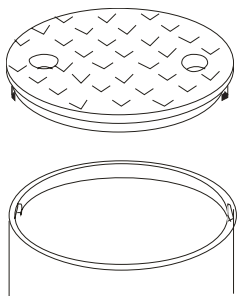
# Valve Box Specifications

PPI heavy duty turf irrigation valve boxes are a smarter choice than concrete or cast iron boxes. They are tough and well suited for underground use, but are light to handle and nest inside each other for convenient storage. They are ideal for any commercial or residential application where valves, meters or controls are recessed in the ground. The moulded green lids blend easily with the environment.

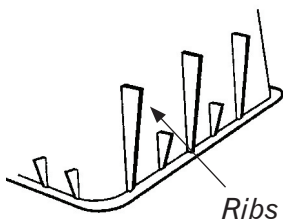


- Single, heavy duty clip ensures it is a simple and easy operation to open the cover for rectangular valve boxes.

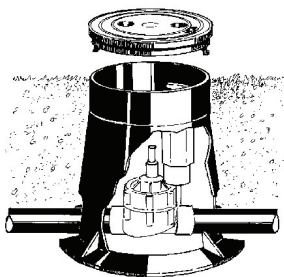
- For extra security, a stainless steel bolt secures the rectangular cover to the base.



- Bayonet fittings on the round covers allow them to be easily removed to gain access inside.



- Extra strong ribs to prevent movement once the box is installed. Adds strength to carry heavy loads.

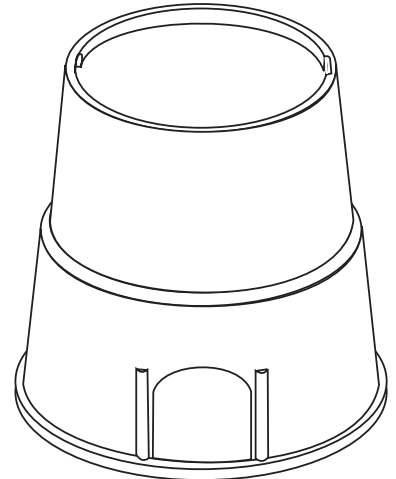
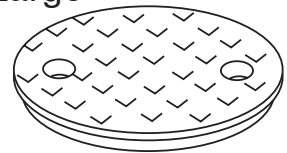


- Provides easy access to valves which are recessed in the ground.

## Round:

Mini

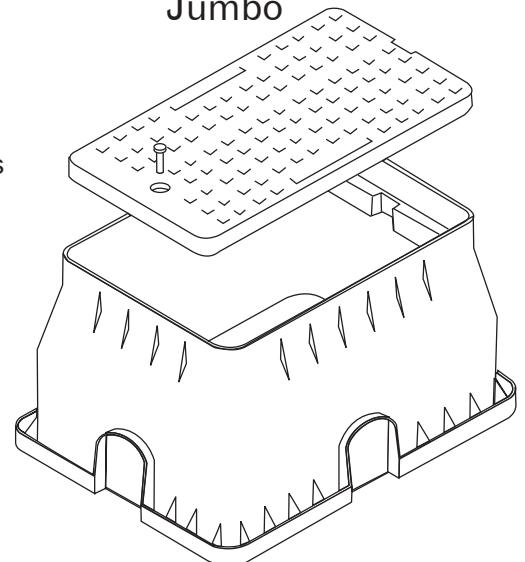
Large



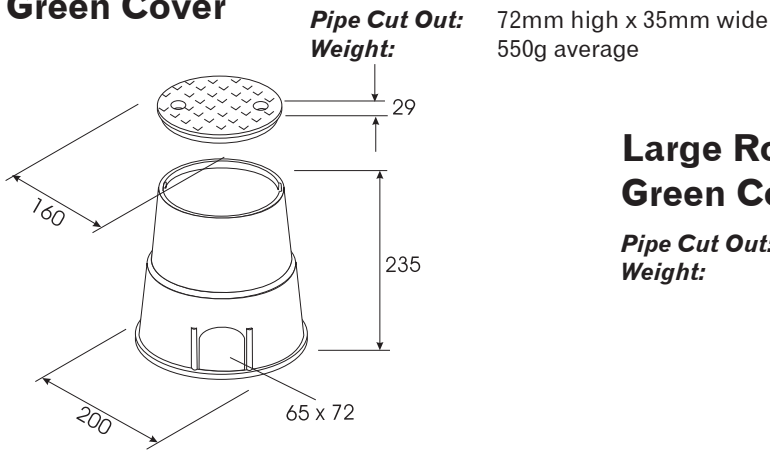
## Rectangular:

Standard

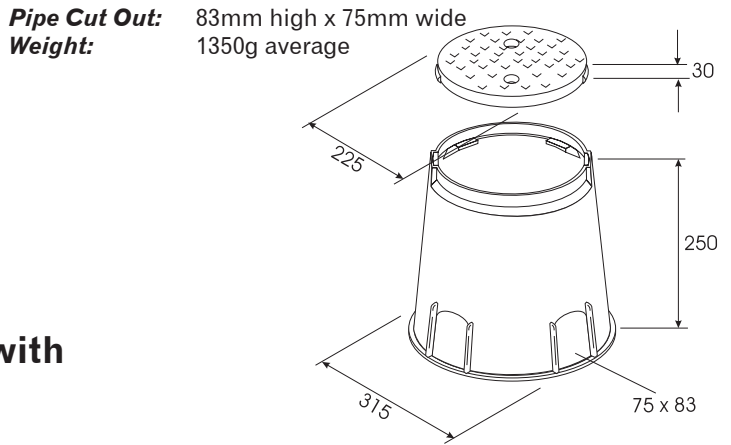
Jumbo



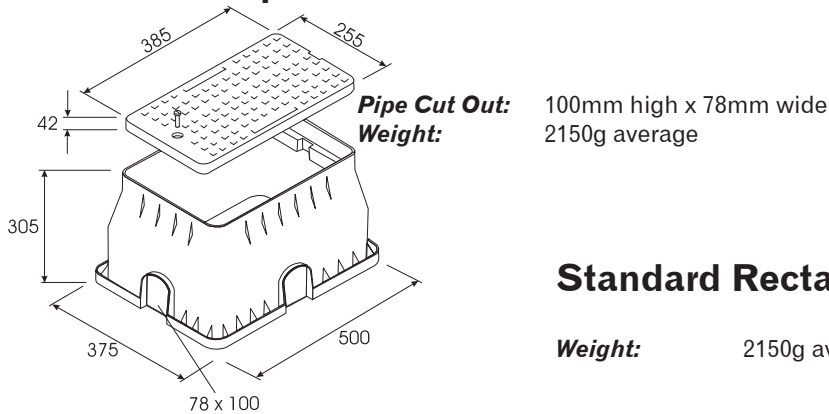
## Mini Round Valve Box with Receased Green Cover



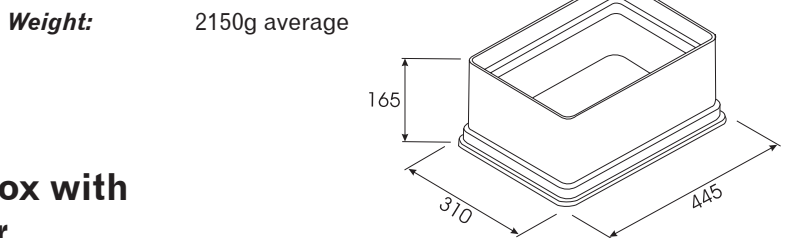
## Large Round Valve Box with Receased Green Cover



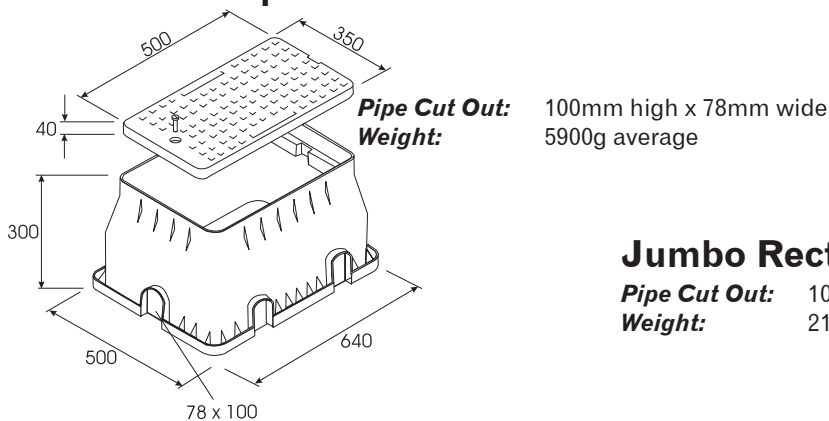
## Standard Rectangular Valve Box with Receased Snap in Green Cover



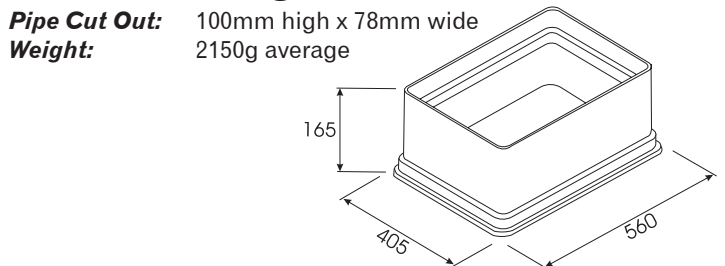
## Standard Rectangular Valve Box Extension



## Standard Rectangular Valve Box with Receased Snap in Green Cover



## Jumbo Rectangular Valve Extension



AUSTRALIA – PPI CORPORATION PTY LTD (ABN 79 010 656 005)

QLD Sales Office  
Townsville Sales Office  
NSW Sales Office  
VIC Sales Office  
SA Sales Office  
TAS Sales Office  
WA Sales Office  
NT Agent Territory Hardware

Ph: (07) 3865 2300 Fax: (07) 3857 0058  
Ph: (07) 4779 7322 Fax: (07) 4779 2509  
Ph: (02) 9820 5955 Fax: (02) 9820 5082  
Ph: (03) 9791 3700 Fax: (03) 9791 3900  
Ph: (08) 8447 2611 Fax: (08) 8447 8117  
Ph: (03) 6248 5933 Fax: (03) 6248 5988  
Ph: (08) 9244 5433 Fax: (08) 9244 5499  
Ph: (08) 8947 1250 Fax: (08) 8984 4461

EXPORT ENQUIRIES Ph: +61 7 3865 3699 Fax: +61 7 3857 0058

NEW ZEALAND—PPI CORPORATION (NZ) LIMITED  
Christchurch Ph: (03) 313 7956 Fax: (03) 313 5551

EMAIL: sales@ppi.com.au  
HOME PAGE: www.ppi.com.au

Date: 16 December 2004  
Code: ZM/LT3MTVBS0