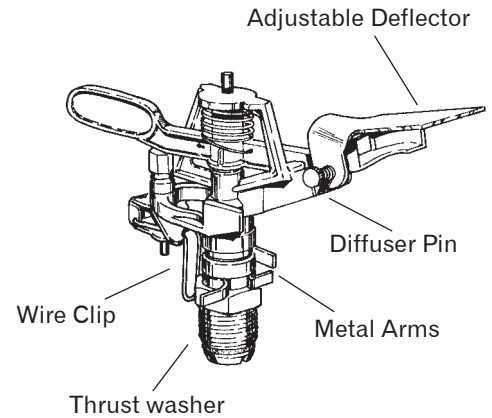




Metal Impact Sprinkler

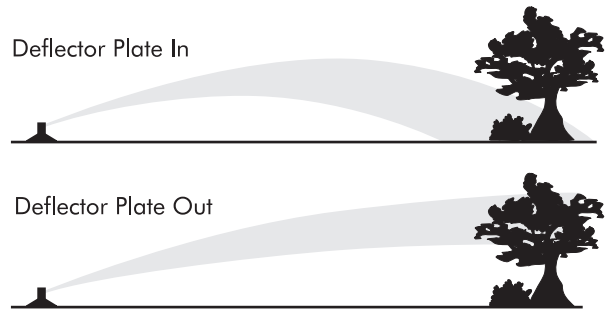
Features and Benefits:

- One sprinkler to do full or part-circle watering
- Made from long lasting metal components
- ½" male BSP inlet thread to suit most sled bases or threaded risers
- Thrust washer to reduce wear on components
- Adjustable deflector plate to change the spray height and to reduce throw radius
- Diffuser pin to change the water jet from heavy droplets to a fine spray
- Removable inlet section for cleaning and replacing washer



Performance:

Discharge: 840Lph at 200kPa
 Coverage: 23 metres diameter
 Spray Pattern: Full Circle: 360°
 Part Circle: 30° – 360°



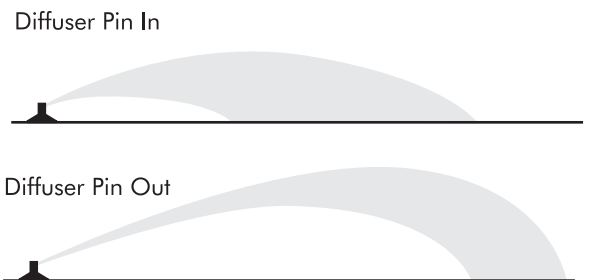
Adjustments:

Part Circle: Flick down wire clip on outside of metal arms
 Adjust metal arms to desired angle

Full Circle: Flick up wire clip
 Ensure sprinkler is rotating in a clockwise direction

Deflector Plate: Tilt the deflector plate to adjust the throw distance/height

Diffuser Pin: Screw the pin in to reduce the water droplet size and throw distance



AUSTRALIA – PPI Corporation Pty Ltd (ABN 79 010 656 005)
QLD Sales Office Ph: (07) 3865 2300 Fax: (07) 3857 0058
Townsville Sales Office Ph: (07) 4779 7322 Fax: (07) 4779 2509
NSW Sales Office Ph: (02) 8706 2400 Fax: (02) 8706 2499
VIC Sales Office Ph: (03) 9791 3700 Fax: (03) 9791 3900
SA Sales Office Ph: (08) 8447 2611 Fax: (08) 8447 8117
TAS Sales Office Ph: (03) 6248 5933 Fax: (03) 6248 5988
WA Sales Office Ph: (08) 9212 3200 Fax: (08) 9355 0675
NT Agent Territory Hardware Ph: (08) 8947 1250 Fax: (08) 8984 4461

EXPORT ENQUIRIES Ph: +61 7 3865 3699 Fax: +61 7 3857 0058

NEW ZEALAND – PPI Corporation (NZ) Limited
 Christchurch Ph: (03) 313 7956 Fax: (03) 313 5551

EMAIL: sales@ppi.com.au
WEB: www.ppi.com.au

Date: 24th January 2007
Code: ZM/LT3METIPM