



## COMMERCIAL Valves

Nelson 7900 series valves incorporate heavy-duty corrosion resistant materials for sturdy and dependable years of service. Glass reinforced nylon body and bonnet to prevent leaks and breaks, stainless-steel plunger and spring to prevent seepage and corrosion, a simple valve design that's easy to use - all these and more combine to provide a durable and convenient product line.

### **7901, 7916 Globe**

- **Flow range:** Less than 1 to 30 gpm
- **Threading:** NPT (7901); BSP (7916)
- **Flow control:** NO
- **Size:** 4"L x 2<sup>3</sup>/<sub>4</sub>"W x 5"H
- 20 per box

### **7911, 7917 Globe**

- **Flow range:** Less than 1 to 30 gpm
- **Threading:** NPT (7911); BSP (7917)
- **Flow control:** YES
- **Size:** 4"L x 2<sup>3</sup>/<sub>4</sub>"W x 5"H
- 20 per box

### **7931 Angle**

- **Flow range:** Less than 1 to 30 gpm
- **Threading:** NPT
- **Flow control:** YES
- **Size:** 3<sup>3</sup>/<sub>4</sub>"L x 2<sup>3</sup>/<sub>4</sub>"W x 5<sup>7</sup>/<sub>8</sub>"H
- 20 per box

### **7941 Angle**

- **Flow range:** Less than 1 to 30 gpm
- **Threading:** NPT
- **Flow control:** NO
- **Size:** 3<sup>3</sup>/<sub>4</sub>"L x 2<sup>3</sup>/<sub>4</sub>"W x 5<sup>7</sup>/<sub>8</sub>"H
- 20 per box

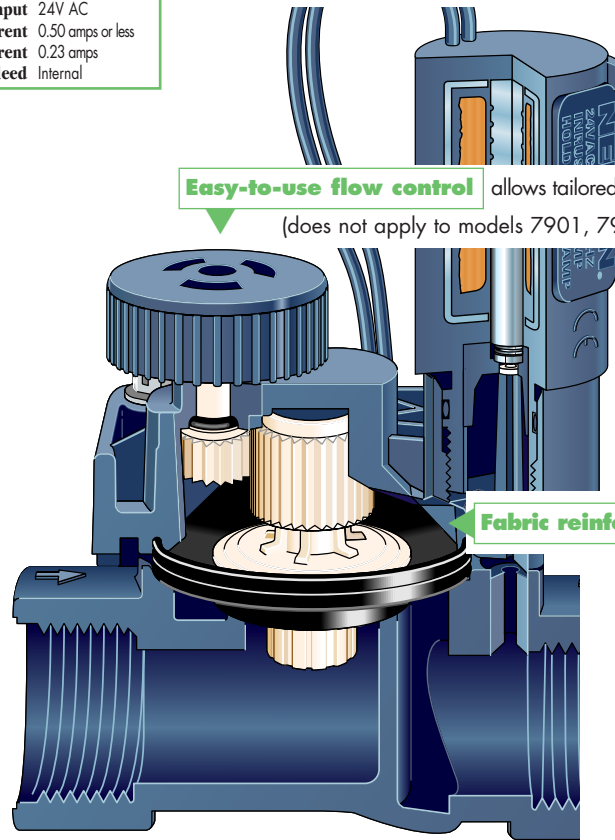
# COMMERCIAL Valves

## Features

Simple, proven design has few moving parts

# 7900 series

**Minimum pressure** 10 PSI  
**Maximum pressure** 150 PSI  
**Input** 24V AC  
**Inrush current** 0.50 amps or less  
**Holding current** 0.23 amps  
**Manual bleed** Internal



**Fully encapsulated solenoid** with a stainless steel plunger and spring

**Easy-to-use flow control** allows tailored adjustments in all job site conditions  
(does not apply to models 7901, 7916)

Manual internal bleed is easy to operate – just twist the solenoid

**Molded in solenoid seat** for tighter tolerance parts

**Fabric reinforced diaphragm** for increased durability

Body and bonnet made of glass reinforced nylon to prevent leaks and breaks

Bayonet-mounted bonnet with captured diaphragm for quick and easy servicing

Directly compatible with SoloRain™ series of battery-operated actuators

Five-year warranty on materials and workmanship on the valve, Two-year warranty on materials and workmanship on the solenoid

### ACCESSORIES

7963: 115 volt replacement solenoid (includes conduit connection)

**7901, 7911, 7916, & 7917** GlobeValve

Flow	Pressure Loss	Flow	Pressure Loss	Flow	Pressure Loss
GPM	PSI	L/min	kPa	M <sup>3</sup> /HR	BAR
1	4.0	3.8	28	0.23	0.3
5	2.5	18.9	17	1.14	0.2
10	2.0	37.9	14	2.27	0.1
15	2.5	56.8	17	3.41	0.2
20	3.5	75.7	24	4.54	0.2
25	4.5	94.6	31	5.68	0.3
30	6.5	113.6	45	6.81	0.5

**7931 & 7941** AngleValve

Flow	Pressure Loss	Flow	Pressure Loss	Flow	Pressure Loss
GPM	PSI	L/min	kPa	M <sup>3</sup> /HR	BAR
1	4.0	3.8	28	0.23	0.3
5	2.5	18.9	17	1.14	0.2
10	2.0	37.9	14	2.27	0.1
15	2.5	56.8	17	3.41	0.2
20	3.0	75.7	21	4.54	0.2
25	4.0	94.6	28	5.68	0.3
30	5.5	113.6	38	6.81	0.4