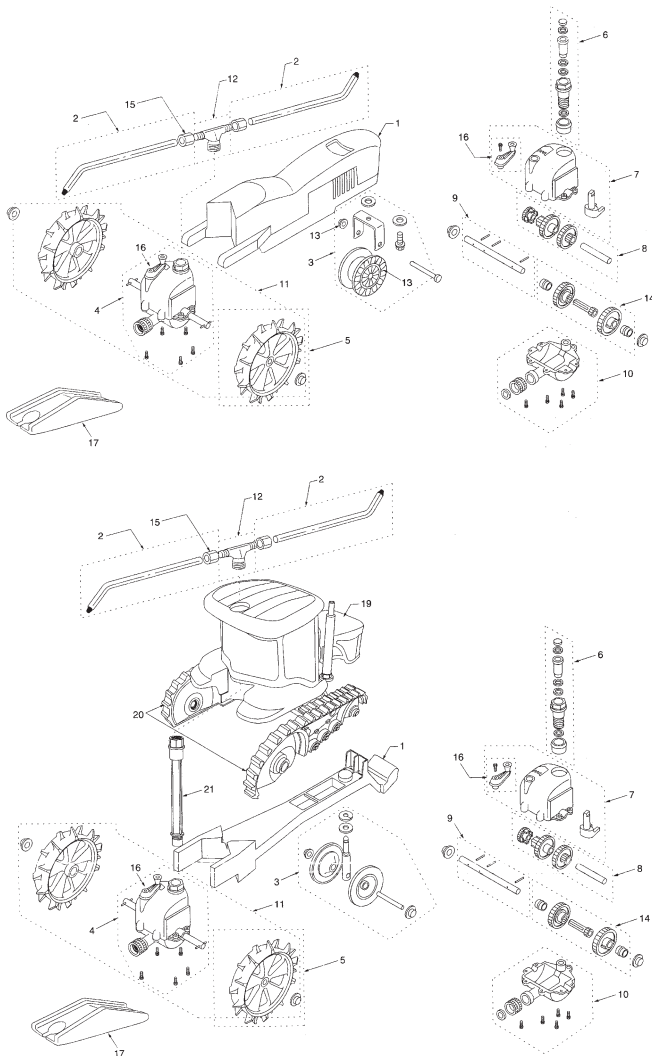
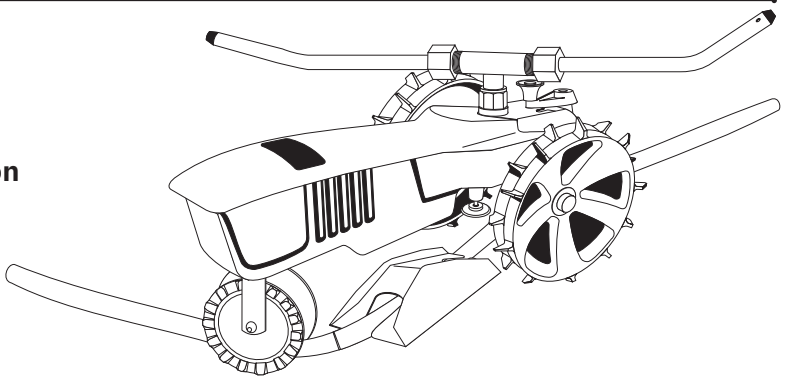




Nelson Rain Train Parts List

- Order replacement parts for the **Nelson 1865E Rain Train® 200** or the **2001N CAT®** from the following parts list quoting the Part No.
- Match the Item No. on the Parts List to the numbered diagram on the left to determine the Part No. required. Assemblies are outlined on the diagram with a dotted line.



Spare Parts Order Codes

Item No.	Nelson Part No.	Description
1	480-42321 48020025	Body CAT frame
2	77257	Spray arm assembly
3	480-49754 77505	Front wheel assmeby CAT front wheel assembly
4	77376 77504	Plastic motor assembly with shut-off CAT black motor assembly
5	49121 77509	Rear wheel & hub CAT rear wheel & hub
6	480-49155	Worm bearing assembly
7	77373 77510	Plastic upper motor housing CAT plastic upper motor housing
8	480-49154	Gear shaft assembly
9	77258	Drive axle assembly
10	77371 77511	Plastic lower motor housing with shut-off CAT plastic lower motor housing with shut-off
11	77374 77513	Plastic motor & wheel assembly with shut-off CAT plastic motor & wheel assembly with shut-off - black
12	973-42459	Motor tee
13	77254	Front wheel & hub
14	77259	Drive axle gear kit
15	77256	Spray arm nut (2)
16	77263	Selector assembly
17	77370 480-20026	Ramp assembly Ramp assembly - black
18	77367	Combo gear kit (including 480-49155, 480-49154, 77259 kits)
19	480-20027	CAT final shell assembly
20	77514	CAT right and left tread
21	480-20028	CAT spray tube extension

AUSTRALIA – PPI CORPORATION PTY LTD (ABN 79 010 656 005)

QLD Sales Office	Ph: (07) 3865 2300	Fax: (07) 3857 0058
Townsville Sales Office	Ph: (07) 4779 7322	Fax: (07) 4779 2509
NSW Sales Office	Ph: (02) 9820 5955	Fax: (02) 9820 5082
VIC Sales Office	Ph: (03) 9791 3700	Fax: (03) 9791 3900
SA Sales Office	Ph: (08) 8447 2611	Fax: (08) 8447 8117
TAS Sales Office	Ph: (03) 6248 5933	Fax: (03) 6248 5988
WA Sales Office	Ph: (08) 9244 5433	Fax: (08) 9244 5499
NT Agent Territory Hardware	Ph: (08) 8947 1250	Fax: (08) 8984 4461

EXPORT ENQUIRIES Ph: +61 7 3865 3699 Fax: +61 7 3857 0058

NEW ZEALAND—PPI CORPORATION (NZ) LIMITED
Christchurch Ph: (03) 313 7956 Fax: (03) 313 5551

EMAIL: sales@ppi.com.au
HOME PAGE: www.ppi.com.au

Date: 16th December 2004