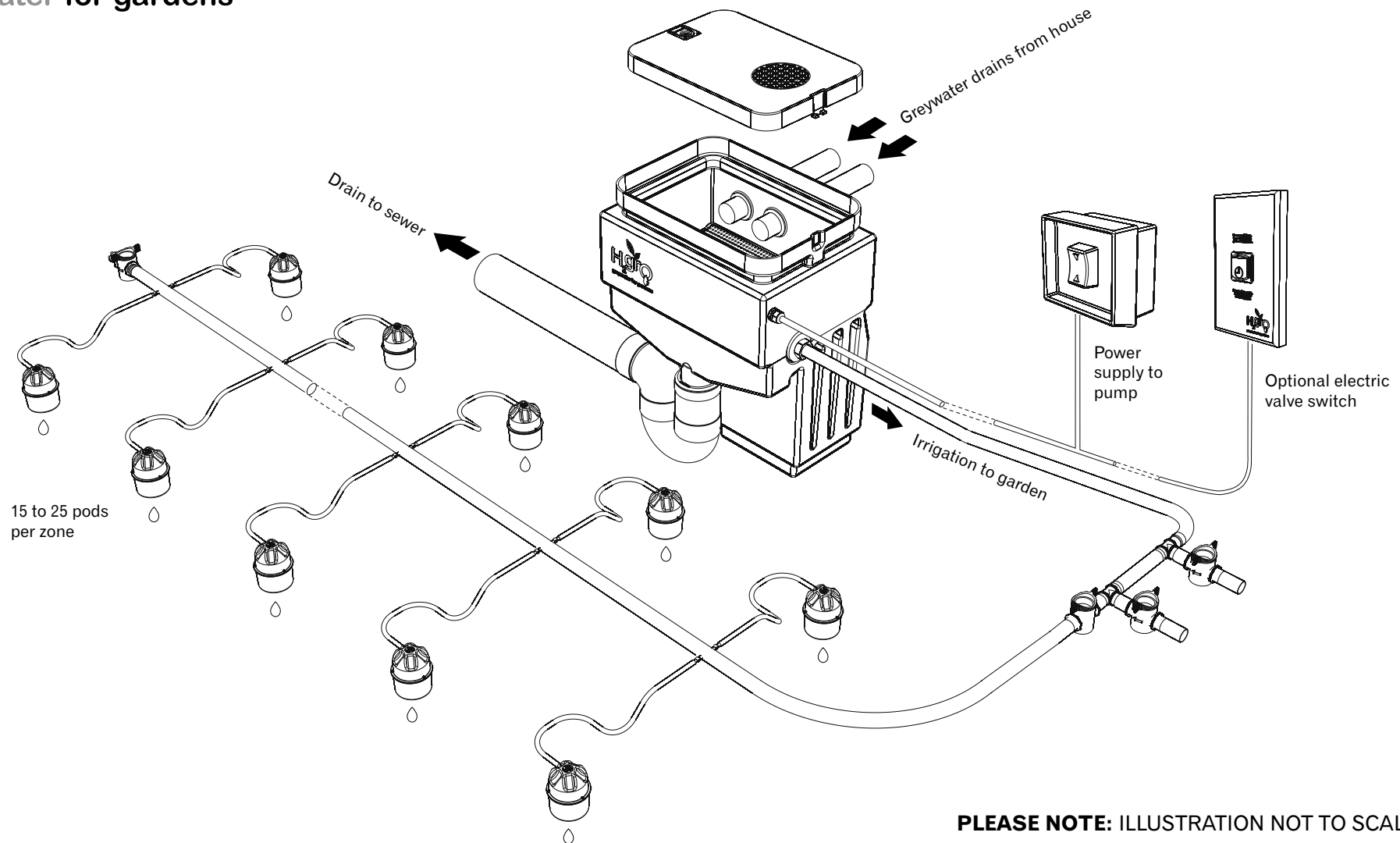




GENERAL LAYOUT

Please read in conjunction with the **H₂grO Owners Operating Manual**

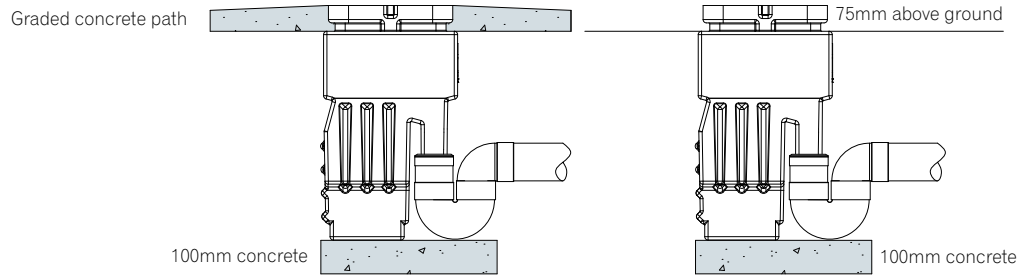


PLEASE NOTE: ILLUSTRATION NOT TO SCALE

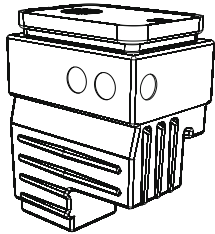
PLUMBING CONNECTIONS

Important!

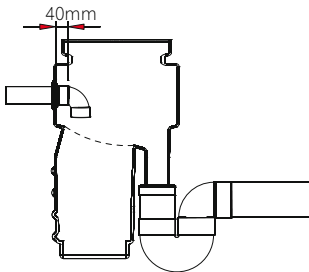
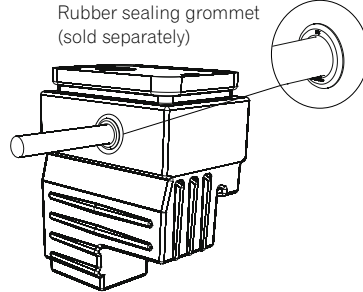
All plumbing work must be conducted by a licensed plumber in accordance with AS/NZS 3500.2



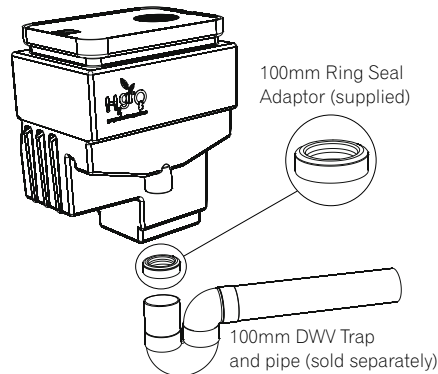
Drill inlet holes in these two sides only



Rubber sealing grommet (sold separately)



100mm Ring Seal Adaptor (supplied)



100mm DWV Trap and pipe (sold separately)

ELECTRICAL CONNECTIONS

Important!

All electrical work must be conducted by a licensed electrician in accordance with AS/NZS 3000

Remember:

- Protect all buried cables with conduit
- Power circuit to be protected with E.L.C.B. or R.C.B.

Wiring:

- Orange cable – Power supply
- Grey cable – Timer switch (optional)

Timer Switch

L A N

Red
Brown
Blue

White
Brown
Blue
Green/Yellow

Grey Cable