

H₂grO Greywater for Gardens

The H₂grO Electric Greywater Diverter – Dual Timer Switch

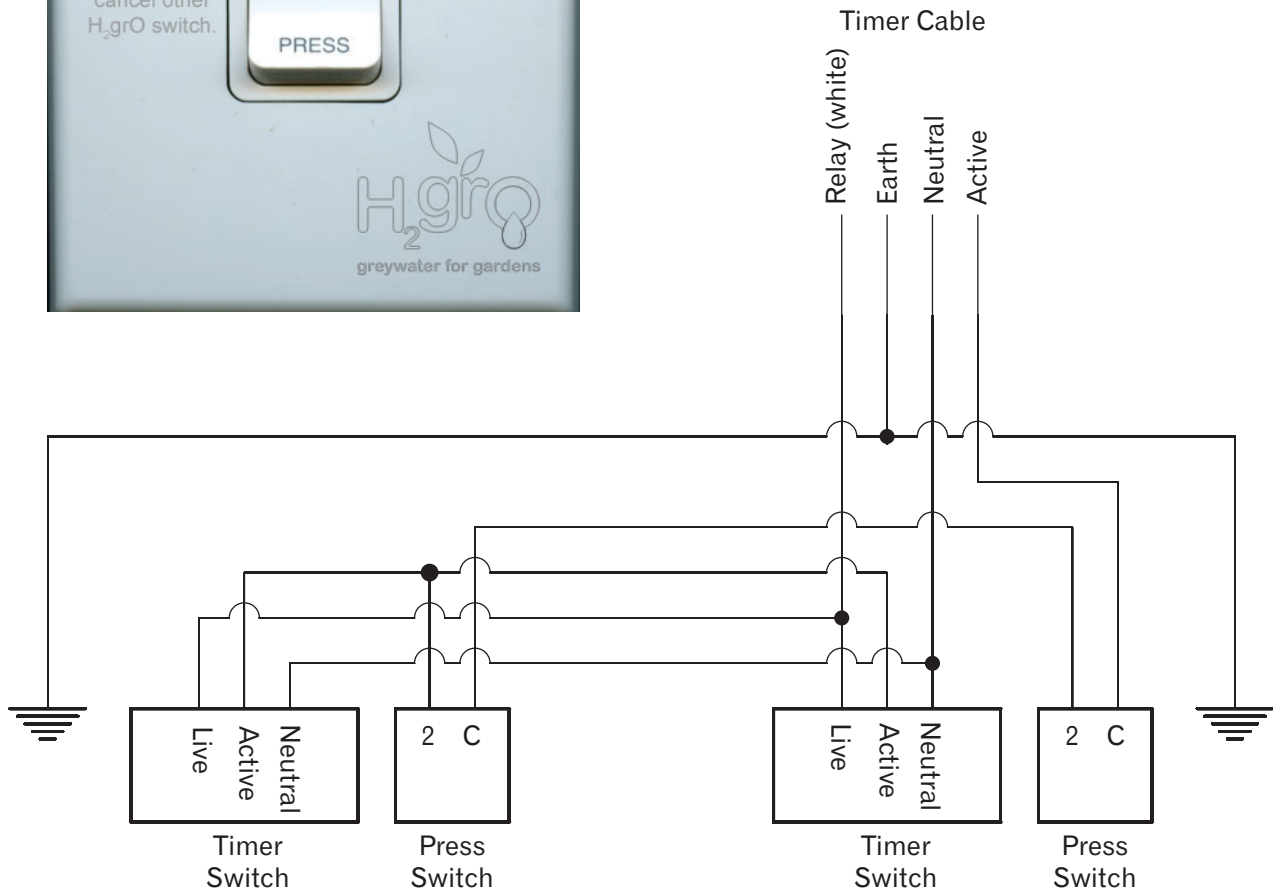


Contents:

- 2 x 2 gang switch plates and covers.
- 2 x Press switch
- 1 x Timer Switch

Instructions:

1. Other timer switch supplied with H2grO unit.
2. Throw away or return 1 gang plate and cover.
3. Run the timer cable connected to H₂grO unit to the first switch plate.
4. Electrician to supply cable to run from the first switch plate to the second. Can use multiples of 2 core and earth and/or switching cable if 4 core and earth is not available.



AUSTRALIA – PPI Corporation Pty Ltd (ABN 79 010 656 005)

QLD Sales Office	Ph: (07) 3865 2300	Fax: (07) 3857 0058
Townsville Sales Office	Ph: (07) 4779 7322	Fax: (07) 4779 2509
NSW Sales Office	Ph: (02) 8706 2400	Fax: (02) 8706 2499
VIC Sales Office	Ph: (03) 9791 3700	Fax: (03) 9791 3900
SA Sales Office	Ph: (08) 8447 2611	Fax: (08) 8447 8117
TAS Sales Office	Ph: (03) 6248 5933	Fax: (03) 6248 5988
WA Sales Office	Ph: (08) 9212 3200	Fax: (08) 9355 0675
NT Agent Territory Hardware	Ph: (08) 8947 1250	Fax: (08) 8984 4461

EXPORT ENQUIRIES Ph: +61 7 3865 3699 Fax: +61 7 3857 0058

NEW ZEALAND – PPI Corporation (NZ) Limited

Christchurch Ph: (03) 313 7956 Fax: (03) 313 5551

EMAIL: sales@ppi.com.au

WEB: www.ppi.com.au
www.h2gro.com.au

Date: 16th February 2007